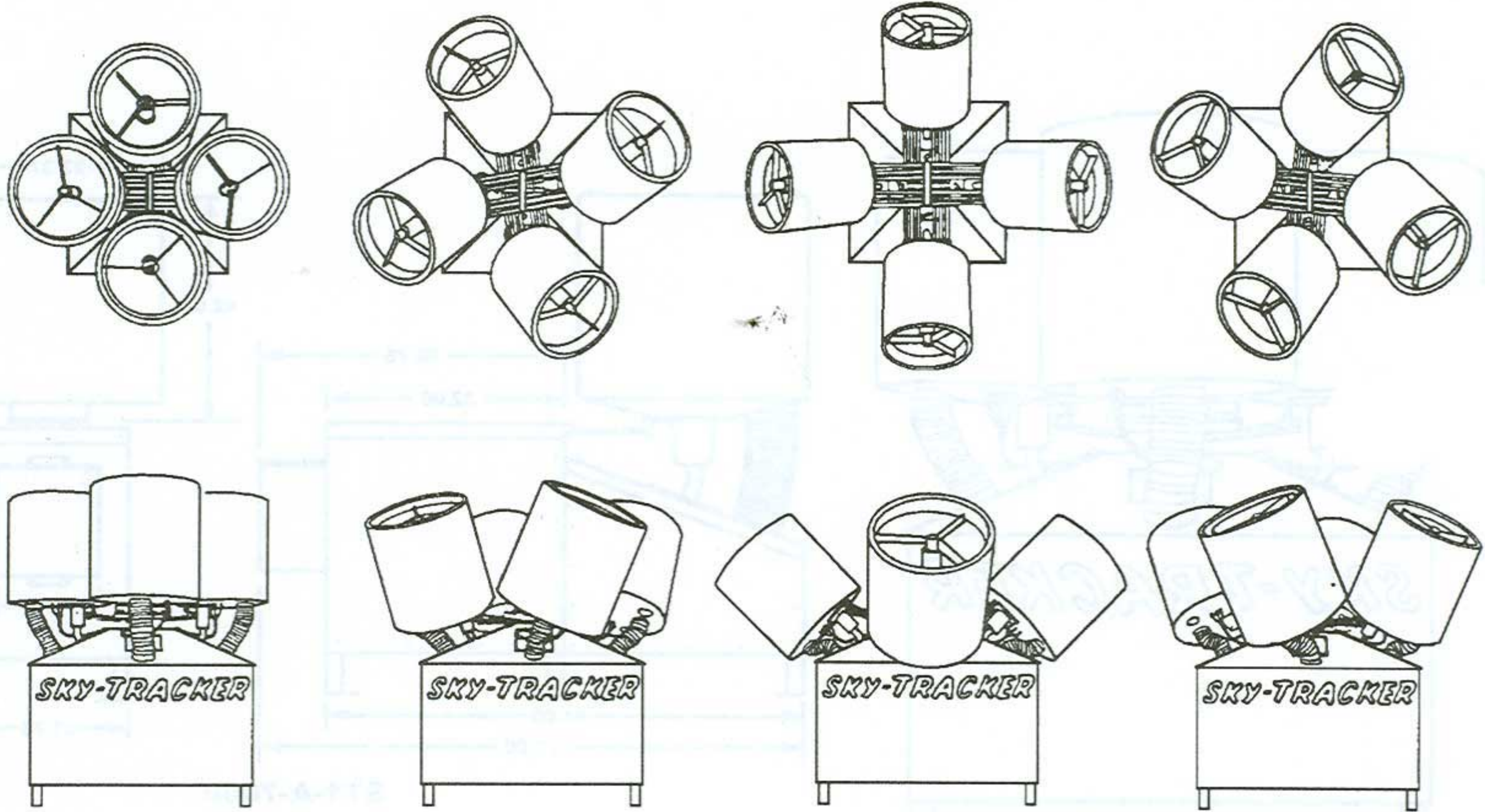


# Rotation Sequence



1. The Sky-tracker motion sequence begins with the four searchlight beams in the vertical position.
2. As the continuous and synchronized rotation starts, the bent shaft mount causes the beam to sweep clockwise while at the same time moving down toward the horizon.
3. At the most extended position the beam is at a 45° angle from vertical.
4. The clockwise rotation continues, bringing the four beams back up toward the vertical position. This motion pattern repeats 6 times each minute.

The overall effect is an inverted pyramid formed by light beams, opening and closing in a continuously sweeping motion.

**SKYTRACKER PREMIER SERVICES**

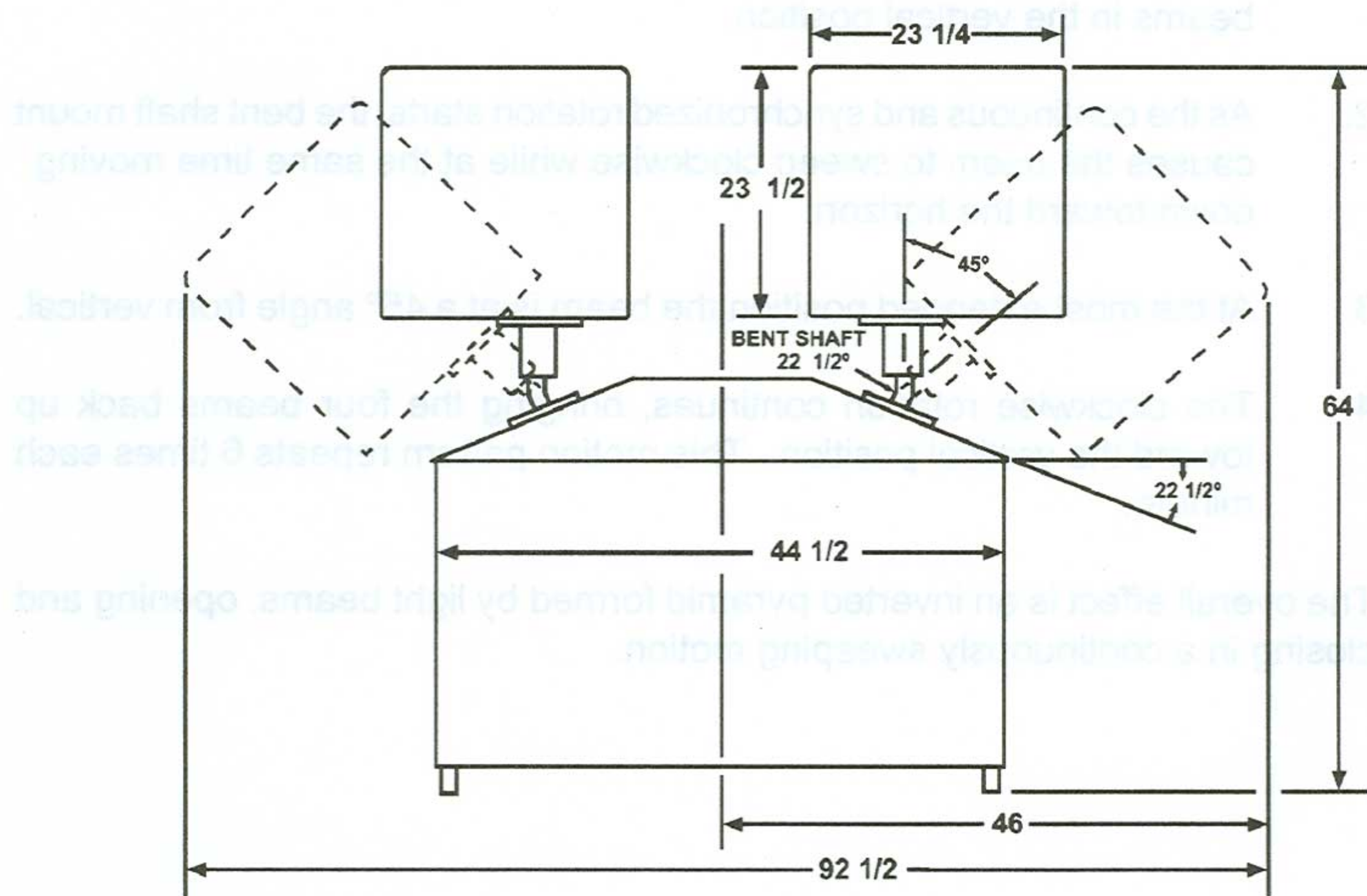
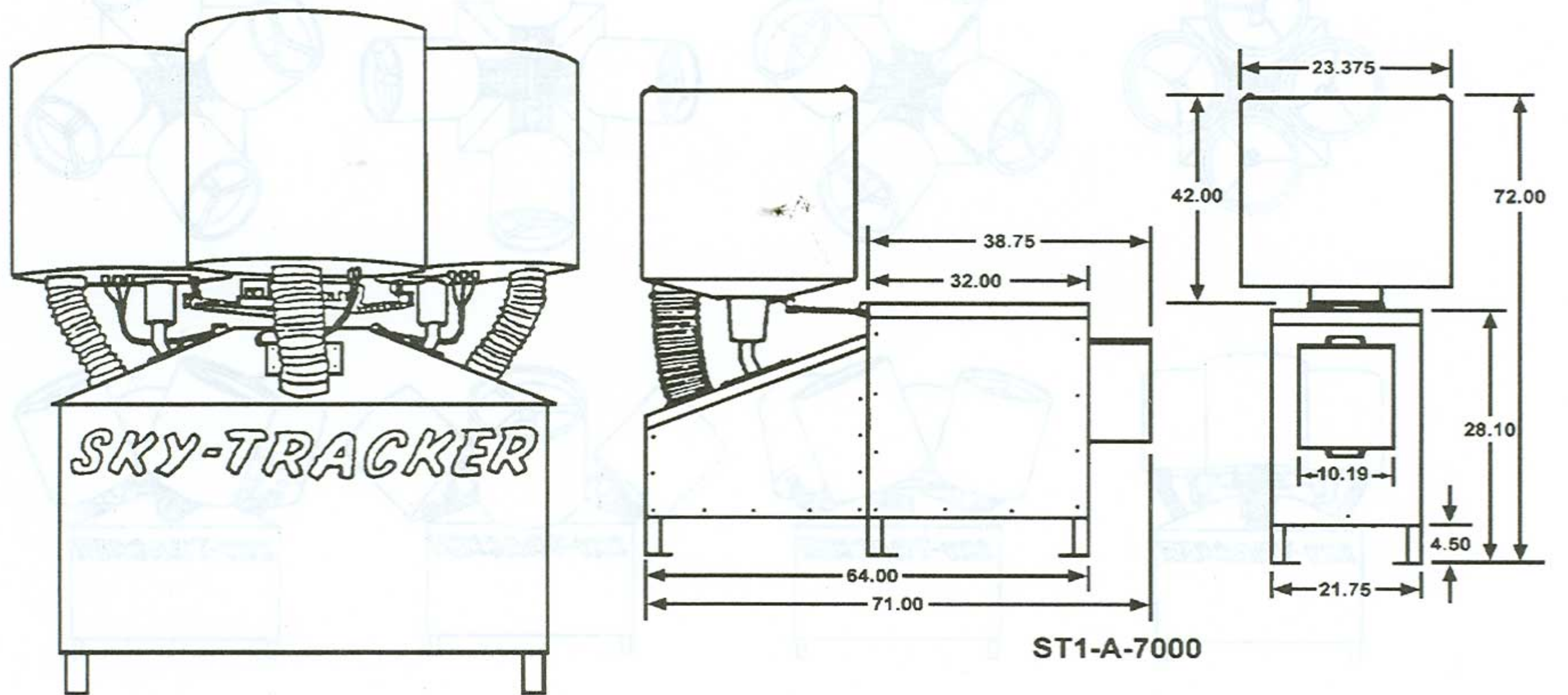
**764 US HW #1**

**EDSION, NJ 08817**

**800 247 7510**

**[WWW.SKYTRACKING.COM](http://WWW.SKYTRACKING.COM)**

# Rotation Clearance



SKYTRACKER PREMIER SERVICES

764 US HW #1

EDISON, NJ

800 247 7510

WWW.SKYTRACKING.COM