



SLX

Models SLX-2000, SLX-4000

F E A T U R E S

- Leading Edge Xenon Technology
- Precision Nickel Electroformed Reflector specifically coated for continuous high output performance
- Color Temperature constant at 5600° (Kelvin)
- Focusable Beam
- Available in both 2000 and 4000 Watt configurations
- Lamphead features Rainproof, Molded Fiberglass Casing
- Tempered Glass Lamphead Window
- Powder Coated Steel Frame
- Fully Assembled in a Weather Resistant Housing ("A" Series, as shown)
- Two-Part Construction for Easy Installation ("B" and "C" Series)
"B" Series: Plug-In
"C" Series: Hard Wired



Creative Application of Xenon Light Technology

SkyLights are single-beam, fixed searchlights used to project attention-getting beams of light. Lamp positioning can be fixed by means of a dual tilt plate assembly. The system is raintight when operated from a vertical position through a declination angle of 45° in any angle.

SKYTRACKER PREMIER SERVICES
764 US HW #1 EDISON, NJ
1-800-247-7510
WWW.SKYTRACKING.COM

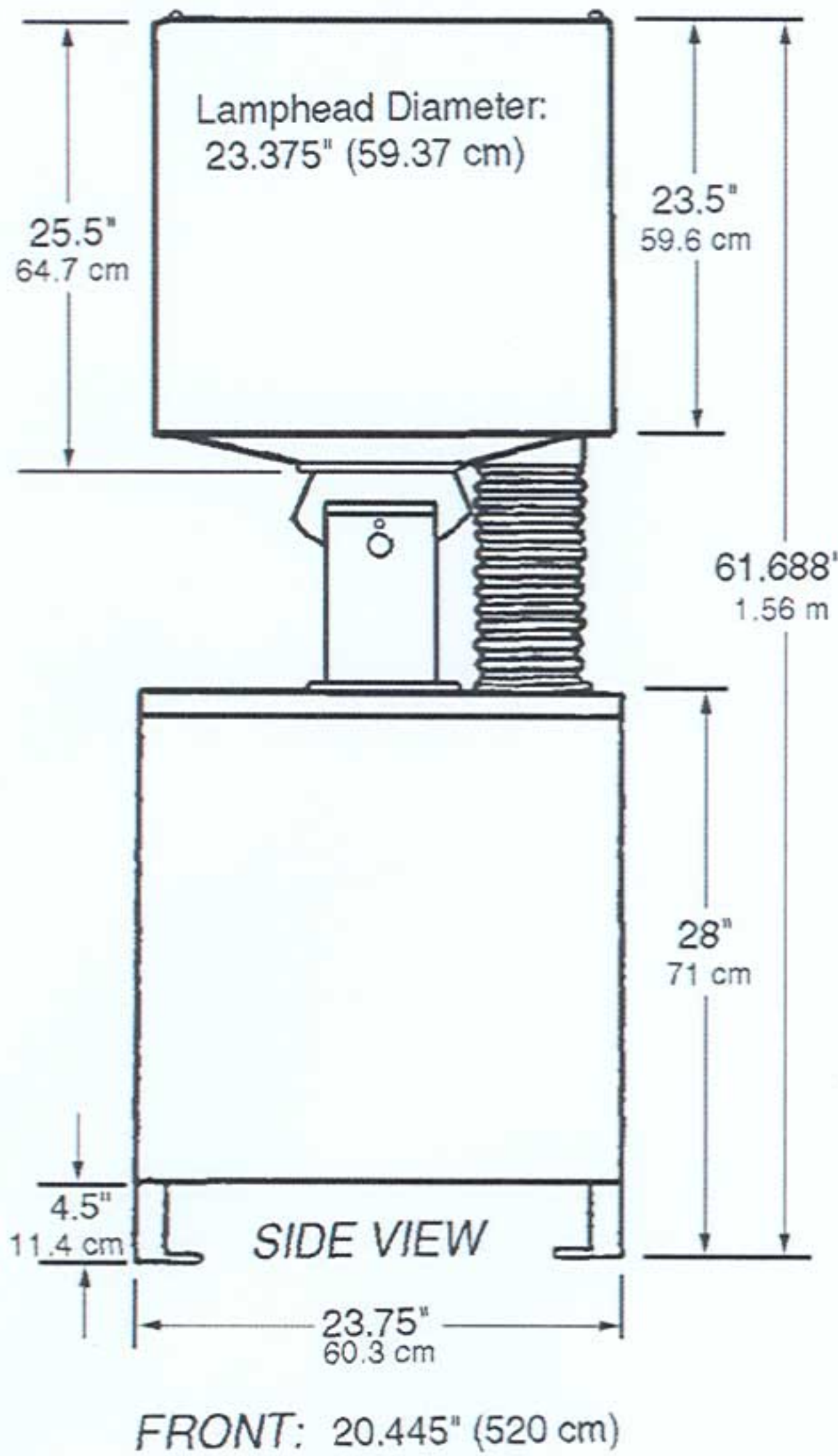


SLX

TECHNICAL SPECIFICATIONS

	2000 WATT	4000 WATT
Voltage Input (Three Phase)	208/230 V.AC*	208/230 V.AC*
Current Input	25/22 A.	28/24 A.
Peak Beam Candlepower	208 Million	332 Million
Beam Spread (Focusable)	.5 - 2 Degrees	.5 - 2 Degrees
Mounting Bolt Pattern (Lamphead)	5.75" x 6.5"	5.75" x 6.5"
Color	White	White
Weight	330 lb. (150kg)	345 lb. (156.5kg)

* other voltages upon request



"A" Series: Lamphead and Power Supply make up one complete unit (illustrated at left)

"B" Series: Functionally the same as the SLX-A with the power supply case separate from the lamphead (see below). Equipped with quick-disconnect plugs and receptacles.

"C" Series: Same as "B" Series except requires hard wiring in place of disconnects.



SKYTRACKER PREMIER SERVICES
1-800-247-7510